



# Parts

## Diagnosis 218

Temporary Filling Carrier

## Periodontics 218

Sharpener

## Restorative Treatments / Endodontics 218

Composite Syringe / Endodontic Aspirator /  
Fiber Cutter

## Surgery 219

Mallet / Injection Cartridge Syringe /  
Jaw Opening Trainer

## Implantology 220

Bone Mill / Parallel Meter

## Prosthetics 221

Crown Removing Pliers / Agar Syringe /  
Contact Gauge / Crown Splitting Pliers

## Laboratory Techniques 222

Spacy Articulator / Face Bow /  
Unity Articulator / Partial Articulator /  
Flask / Laboratory Calipers / Parallel Meter

## Orthodontics 226

Orthodontic Pliers EVER /  
Convertible Cap Removing Pliers /  
Tying Pliers / Band Seater

## Other Chair-side Products 227

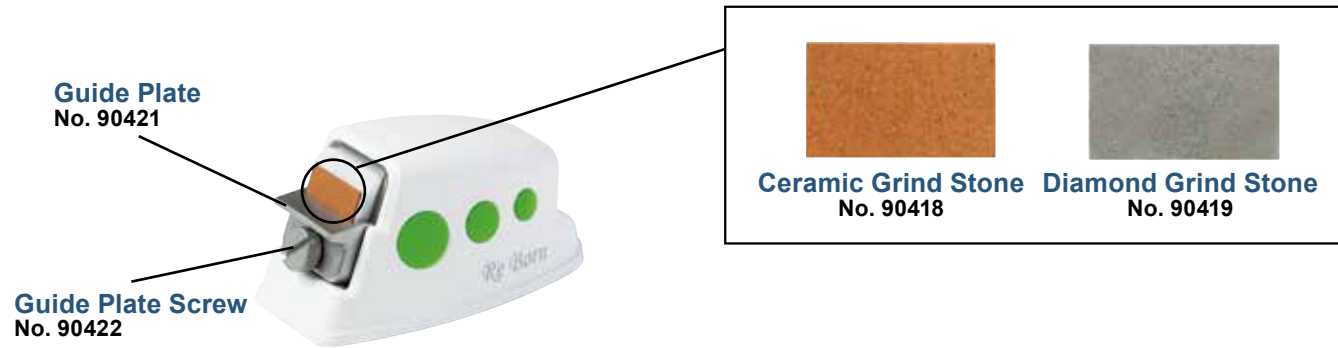
Almighty Mouth Gag / Photographic Mirror /  
One-Touch Cotton Box / Phial Stand One-Touch /  
Sterilization Cassette / Sterilization Case / Bur Pot



### Temporary Filling Carrier



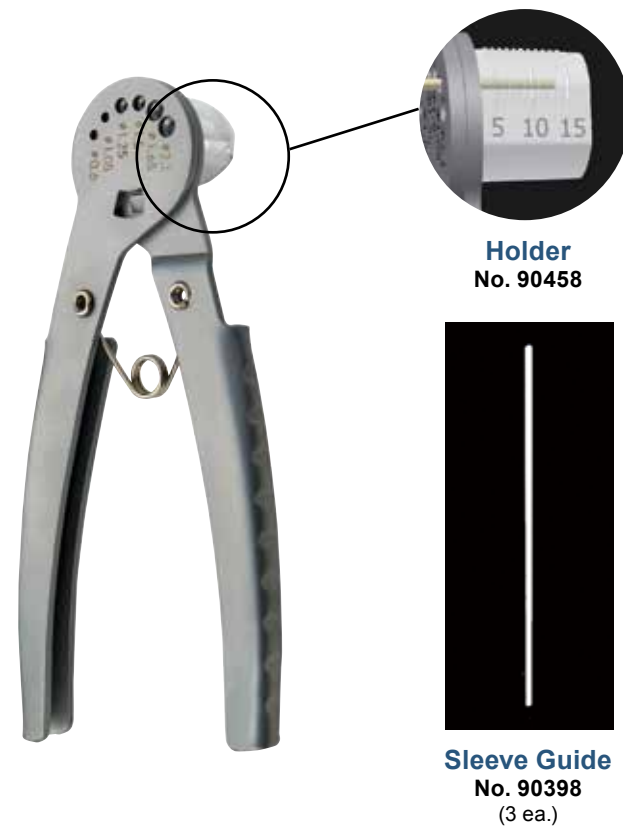
### Sharpener Re Born



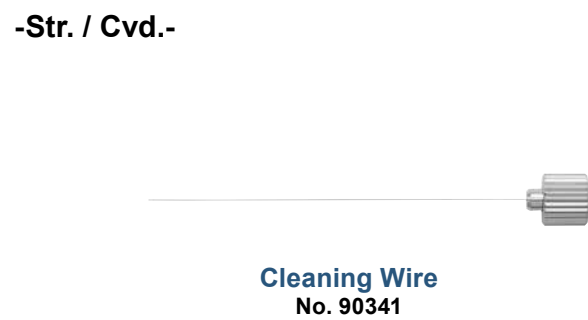
### Composite Syringe Type-2



### Fiber Cutter Type2



### Endodontic Aspirator Type-2

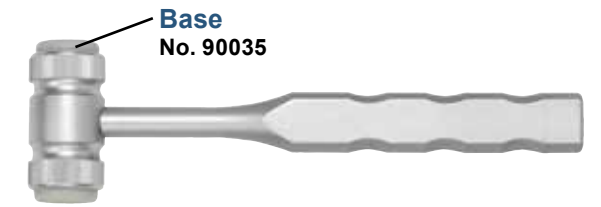


### Mallet

-Universal-



-Soft-

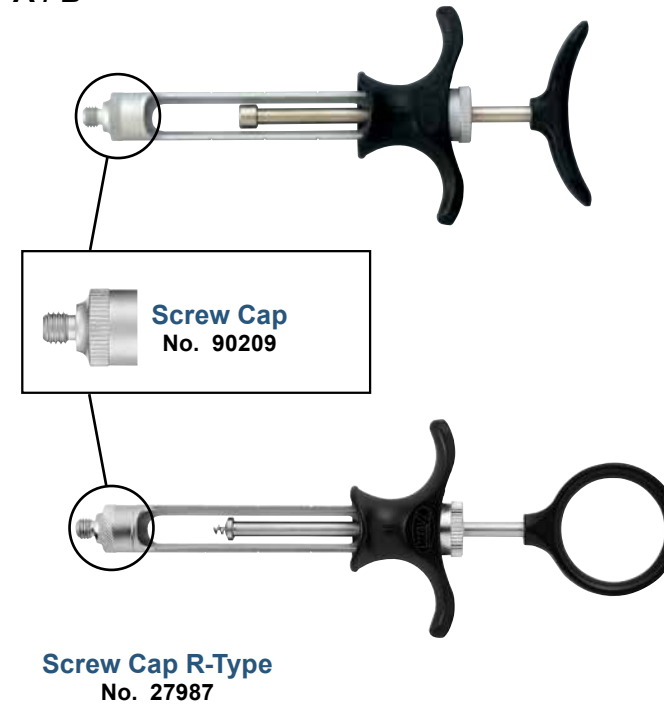


-Hard-

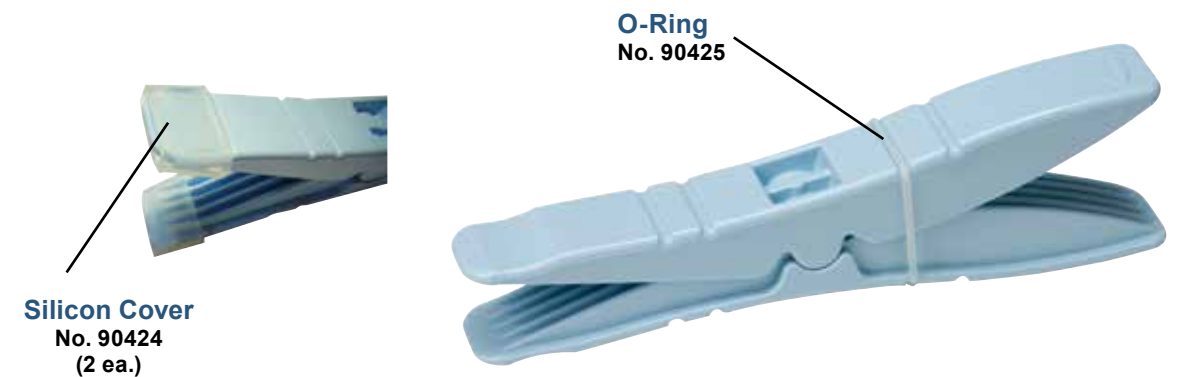


### Injection Cartridge Syringe Type-2

-A / B-



### Jaw Opening Trainer





### Bone Mill

-ex-2-

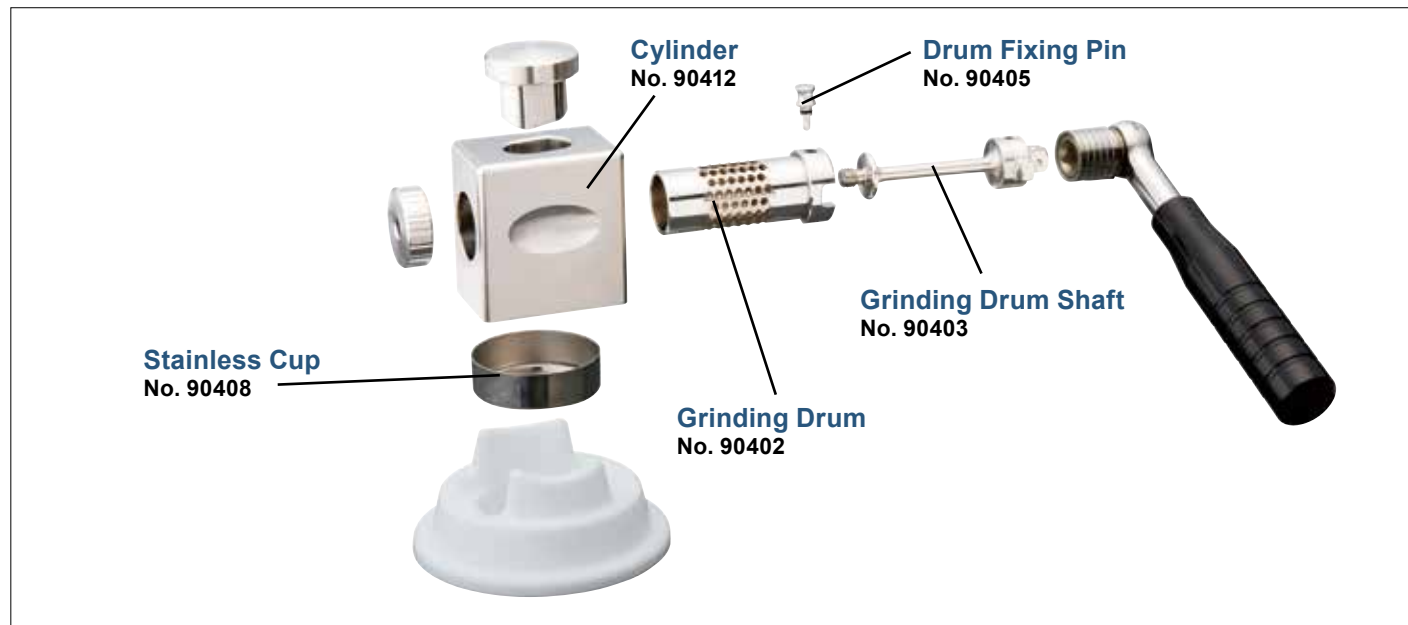


**Sterilization Container**  
No. 90401

**Lid in Container**  
No. 90411  
(5 ea.)



**Grinding Drum  
Cleaning Comb**  
No. 90400



**Cylinder**  
No. 90412

**Drum Fixing Pin**  
No. 90405

**Grinding Drum Shaft**  
No. 90403

**Stainless Cup**  
No. 90408

**Grinding Drum**  
No. 90402

### Crown Removing Pliers

-Professional for U.A-

**for U.A Tip**  
No. 90459  
(10 ea.)



-Professional-

**Tip**  
No. 90455  
(10 ea.)



### Agar Syringe

-(5/16) Type-2-

**Head** \*Include O-Ring and Head Cap.

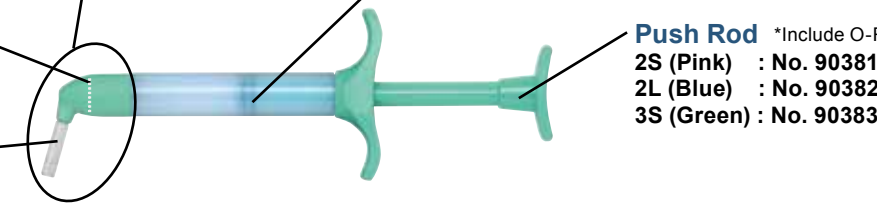
- 2S (Pink) : No. 13604
- 2L (Blue) : No. 13605
- 3S (Green) : No. 13606

**Push Rod O-Ring**  
No. 90301  
(10 ea.)

**O-Ring**  
No. 90339  
(10 ea.)

**Push Rod** \*Include O-Ring.  
2S (Pink) : No. 90381  
2L (Blue) : No. 90382  
3S (Green) : No. 90383

**Head Cap**  
S (Pink / Green) : No. 90298  
L (Blue) : No. 90299



-(CT) Set-

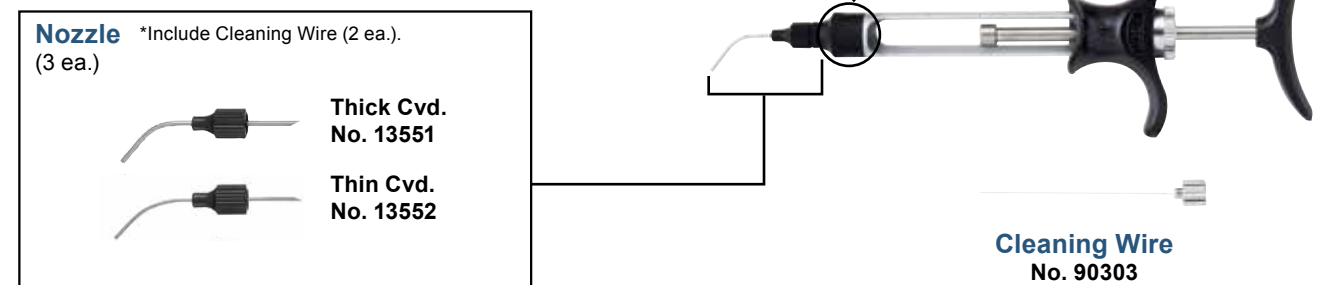
**Nozzle** \*Include Cleaning Wire (2 ea.).  
(3 ea.)

**Thick Cvd.**  
No. 13551

**Thin Cvd.**  
No. 13552

**Cap**  
No. 90220

**Cleaning Wire**  
No. 90303



### Parallel Meter

**Pin**  
No. 90066

**Screw**  
No. 90240



### Contact Gauge

-Double End Holder Set / Single End Holder Set-

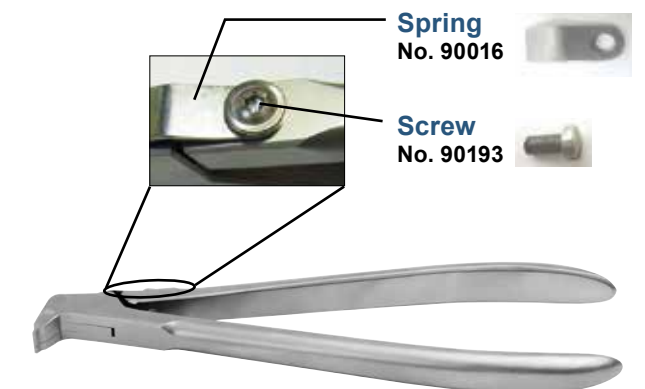
**Spring**  
No. 90009



### Crown Splitting Pliers

**Spring**  
No. 90016

**Screw**  
No. 90193

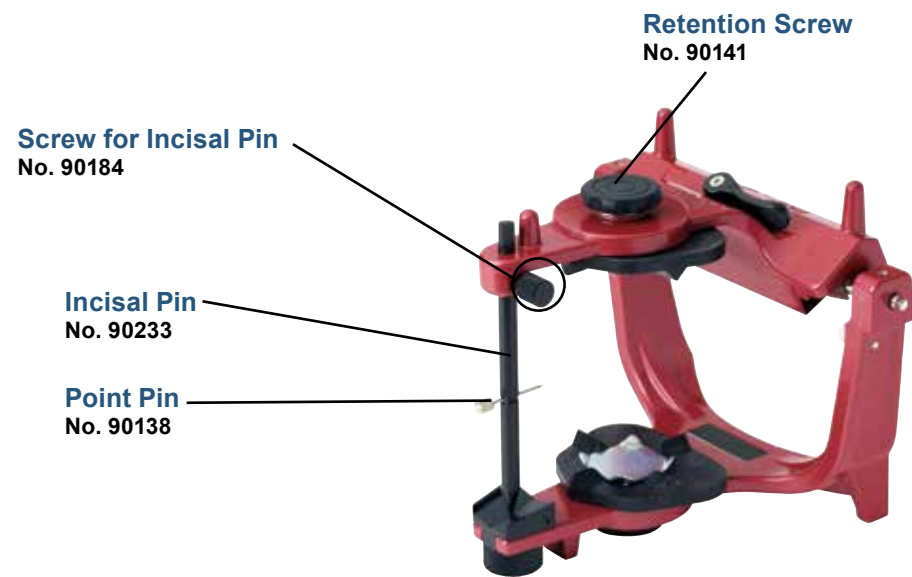






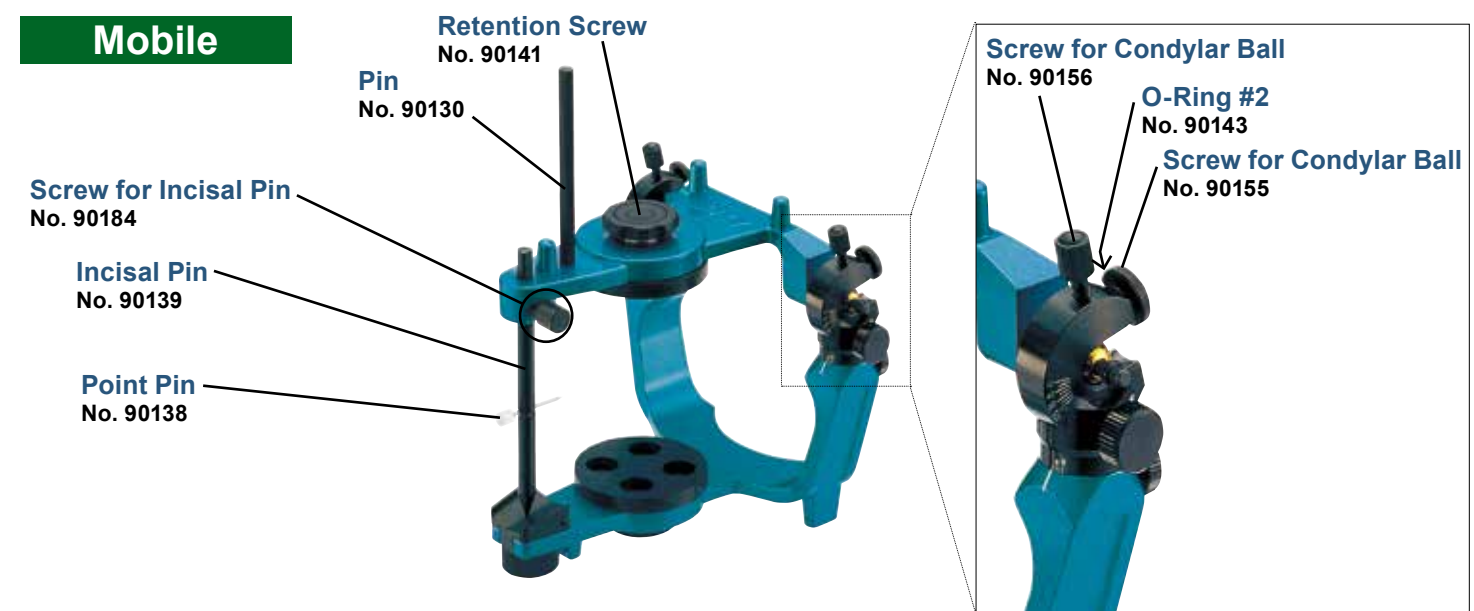
### Spacy Articulator (Average Type)

#### Arcon

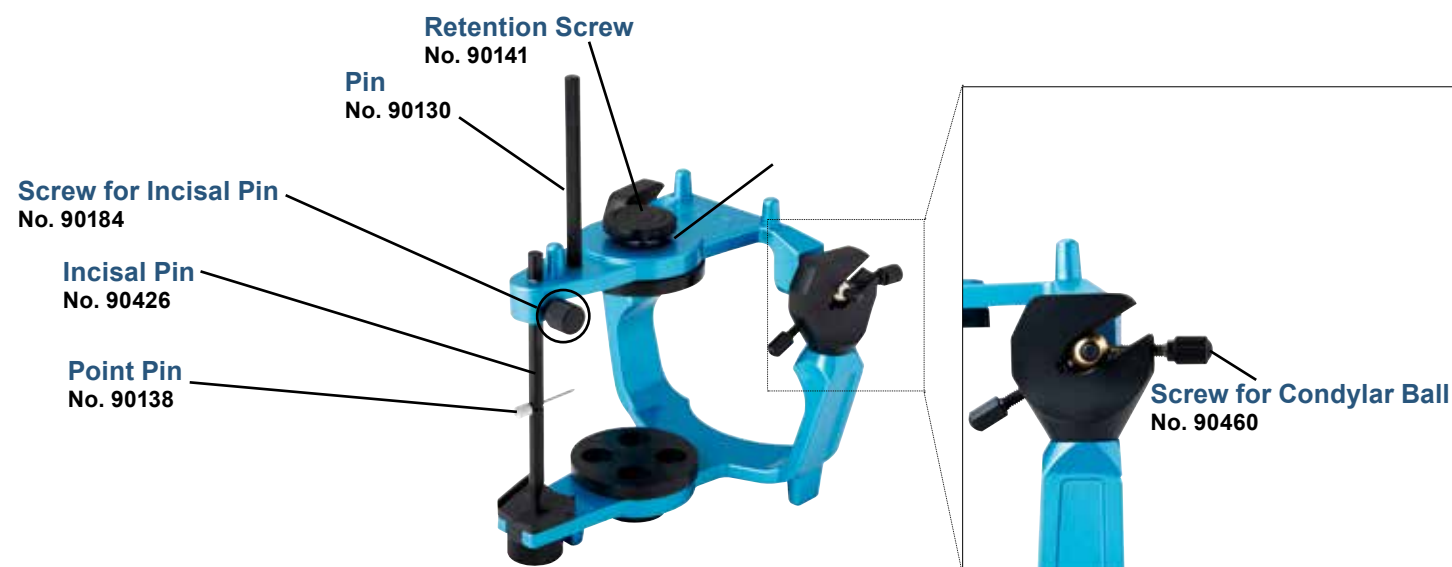


### Spacy Articulator (Semi-Adjustable)

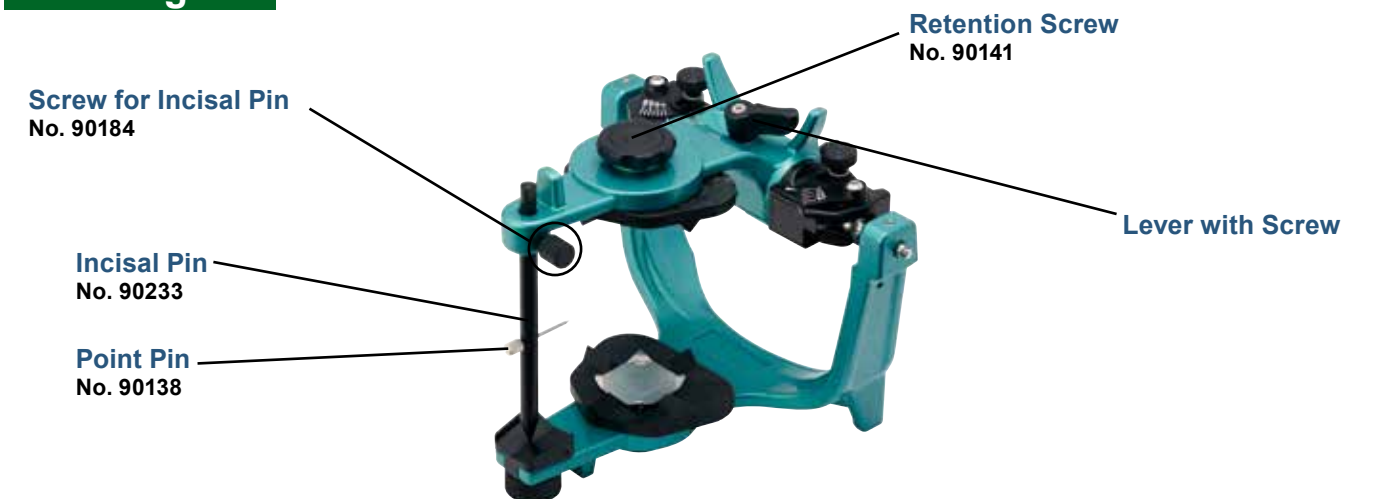
#### Mobile



#### Smart 2

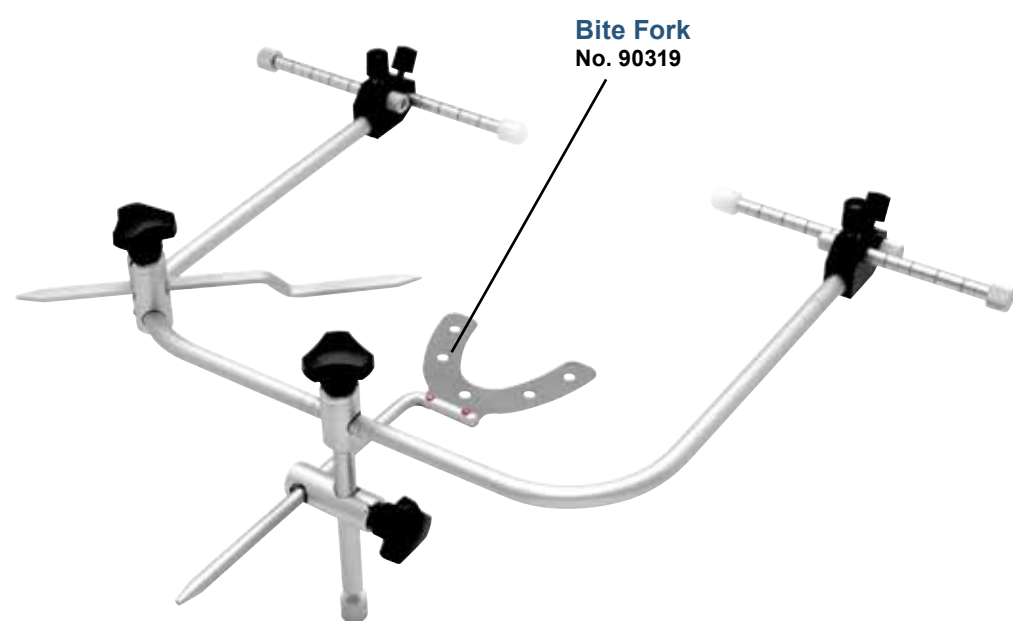


#### Wing



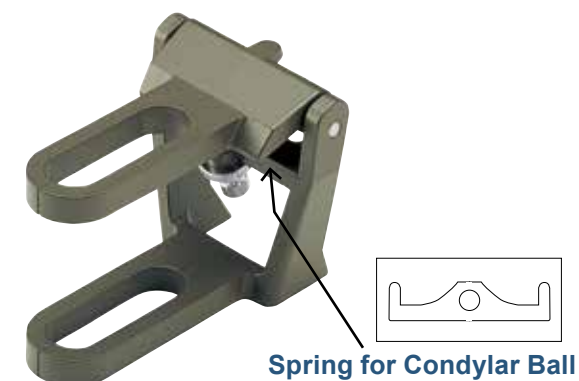


### Face Bow Type-2

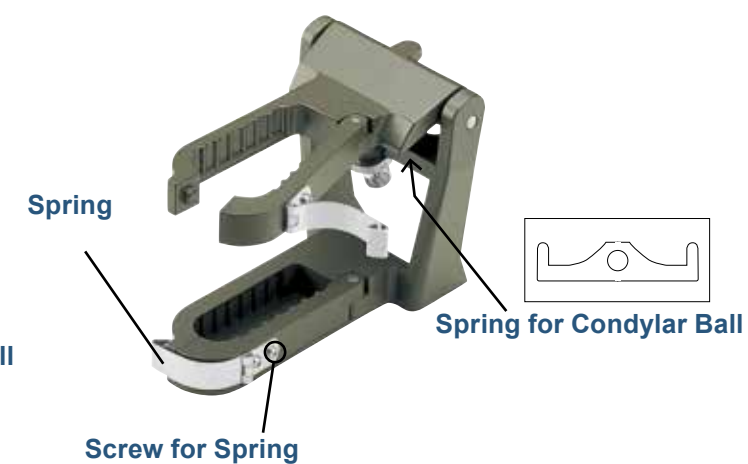


### Partial Articulator

-A-



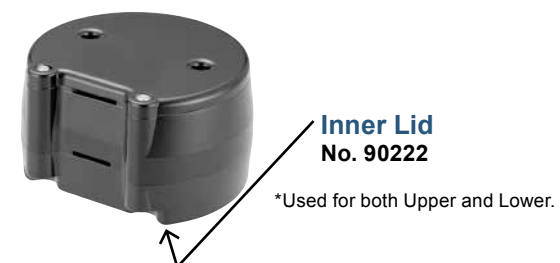
-B-



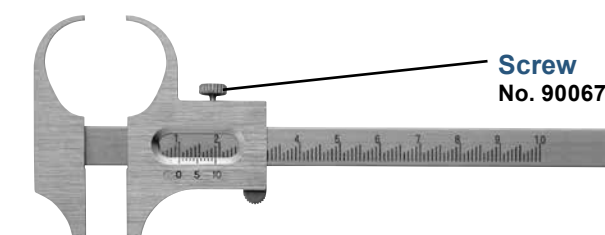
\*Spring & Screw for Spring & pin to be repaired at YDM Corp.

### Flask

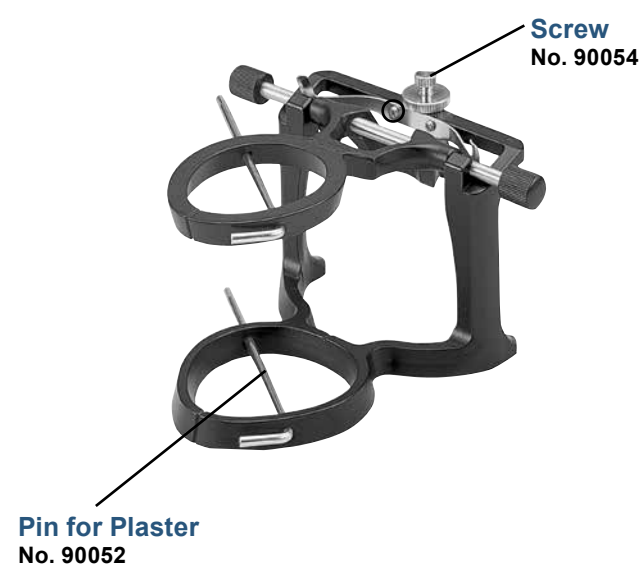
-Upper / Lower-



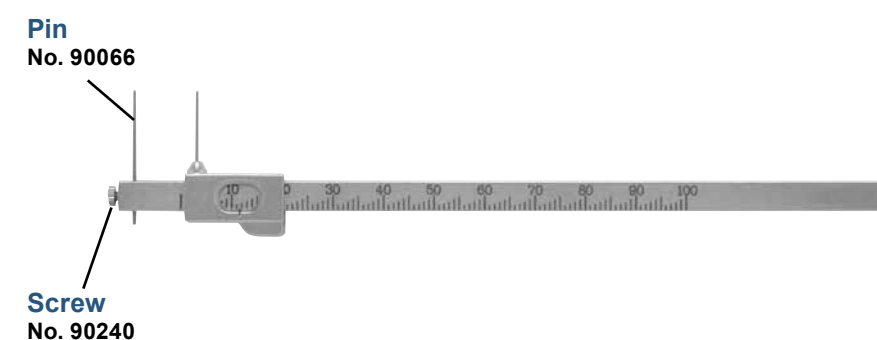
### Laboratory Calipers



### Unity Articulator



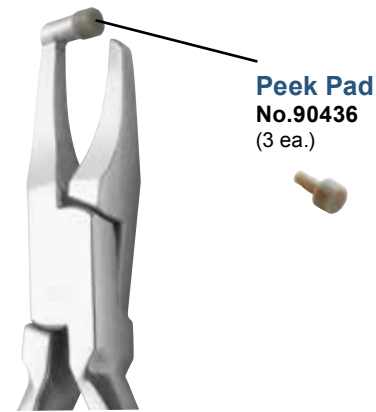
### Parallel Meter





### Orthodontic Pliers EVER

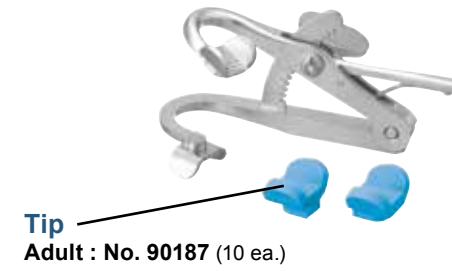
- Classic 412 / Fine 443 / Fine 460 -



Peek Pad  
No.90436  
(3 ea.)

### Almighty Mouth Gag

-Adult / Child-



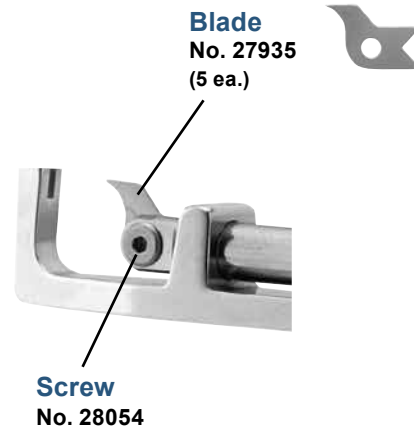
Tip  
Adult : No. 90187 (10 ea.)



Tip  
Child : No. 90189 (10 ea.)

### Convertible Cap Removing Pliers

-ND-934-



Blade  
No. 27935  
(5 ea.)

Screw  
No. 28054

### Photographic Mirror



Sterilization Pouch L  
No. 13270

Size / H250 x W85mm

suitable for

No.	Description
13261	ST Occlusal
13264	ST Occlusal Wide L
13266	ST Occlusal Wide LL
13274	SE Occlusal LL
13282	Crystal Occlusal L
13571	Occlusal
13576	Occlusal Wide L
13578	Occlusal Wide LL

### One-Touch Cotton Box Type-2

-Alcohol-



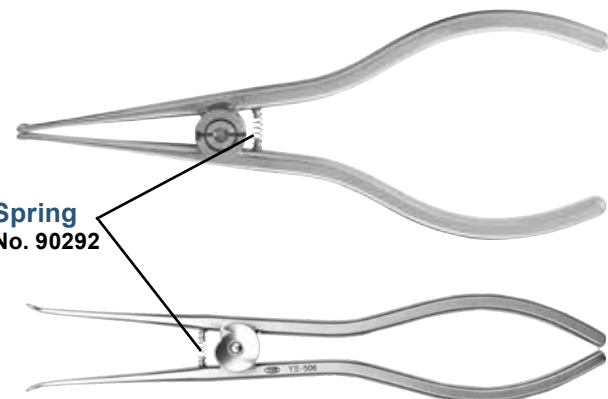
Hinge  
S : No. 90347  
L : No. 90348



\*Not include Screw.

### Tying Pliers

-YS-506 / YS-507-



Spring  
No. 90292

### Band Seater

-YS-703-



Tip  
No. 90082

Sterilization Pouch  
No. 13269

Size / H205 x W80mm

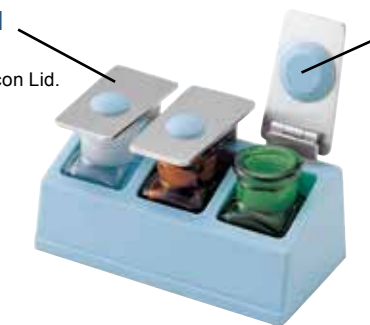
suitable for

No.	Description
13262	ST Lingual
13263	ST Buccal
13265	ST Occlusal Wide S
13271	SE Buccal & Lingual
13272	SE Occlusal L
13273	SE Occlusal M
13281	Crystal Buccal & Lingual
13283	Crystal Occlusal M
13572	Lingual
13573	Buccal
13577	Occlusal Wide S

### Phial Stand One-Touch

Metal Lid  
No. 90330

\*Not include Silicon Lid.



Silicon Lid  
No. 90326  
(3 ea.)





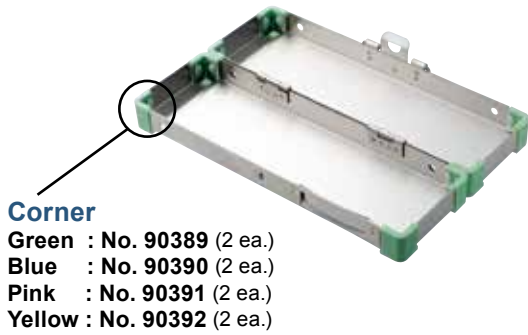
## Sterilization Cassette

-Type-A / Type-B -



## Sterilization Case

-S Green-



\*Used for both Free S Green and Free M Green.

## Bur Pot Set

